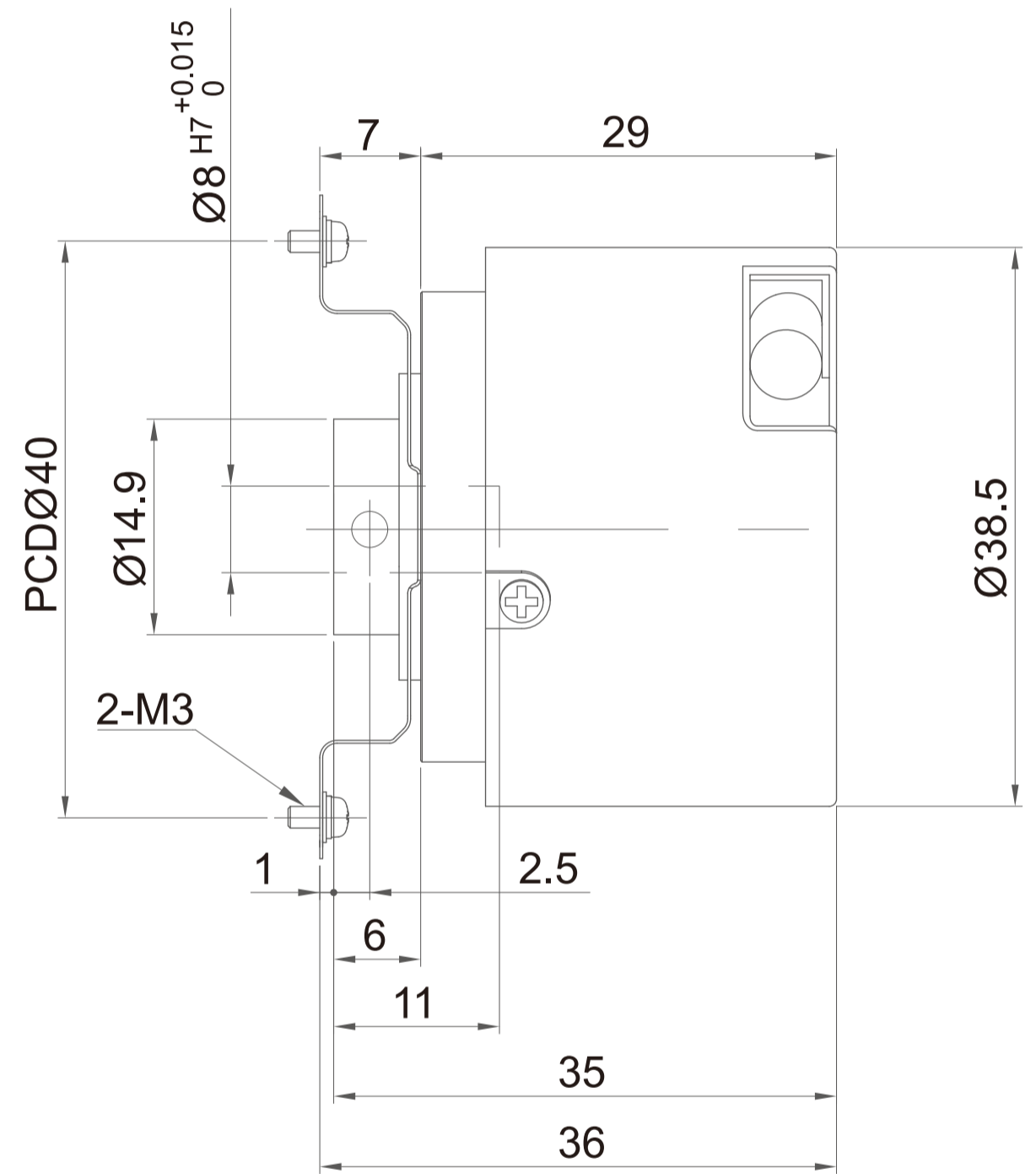
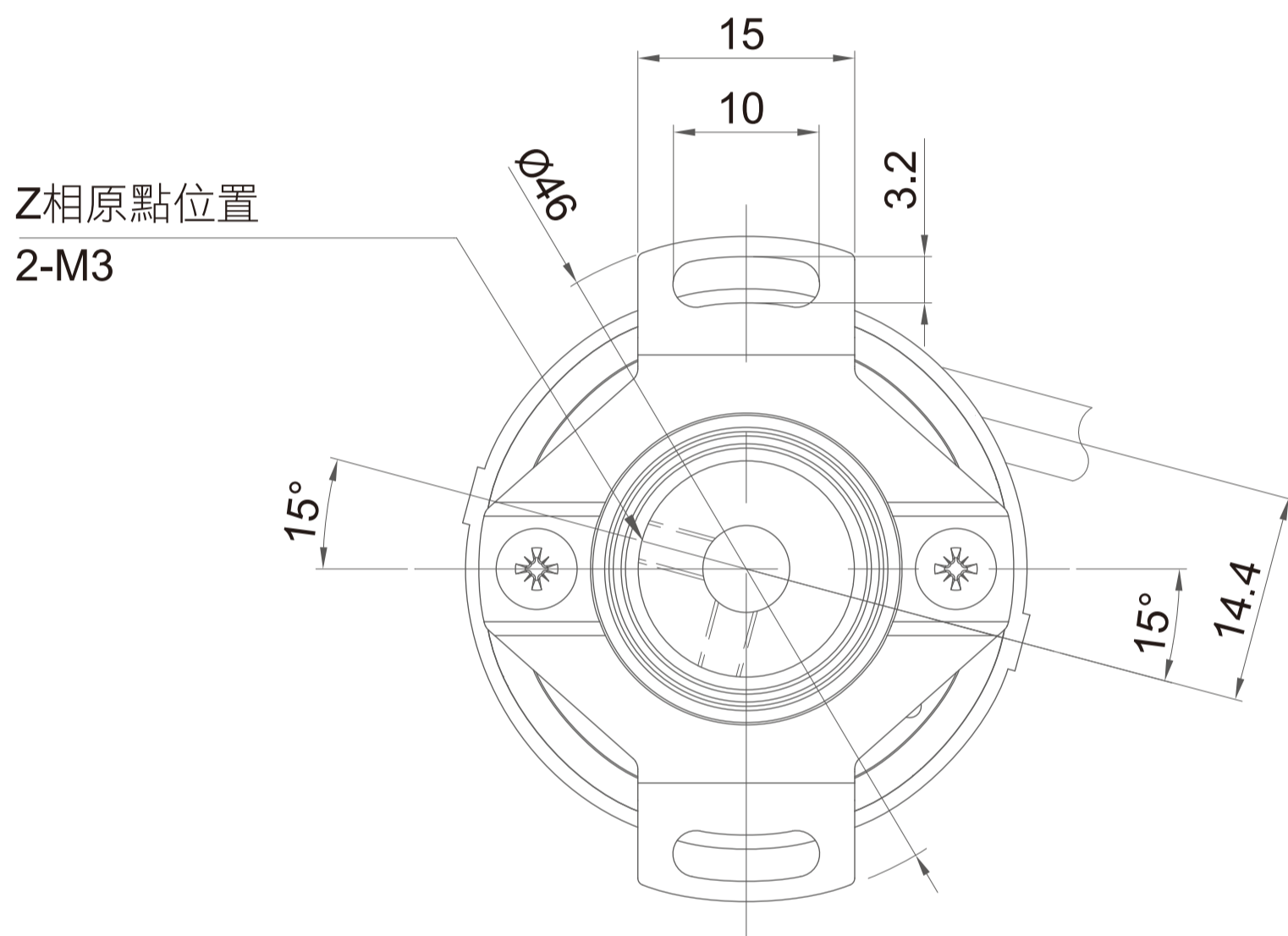
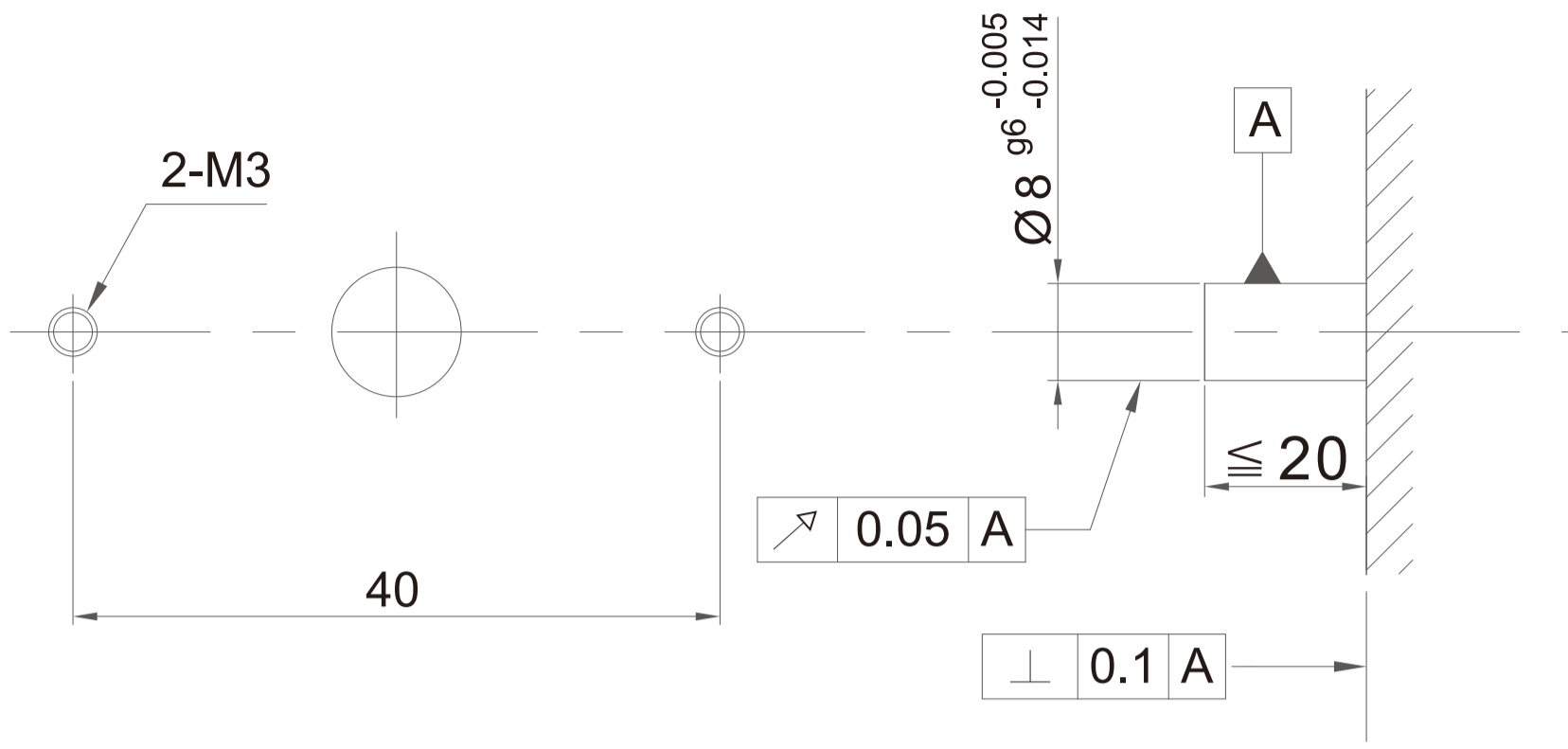
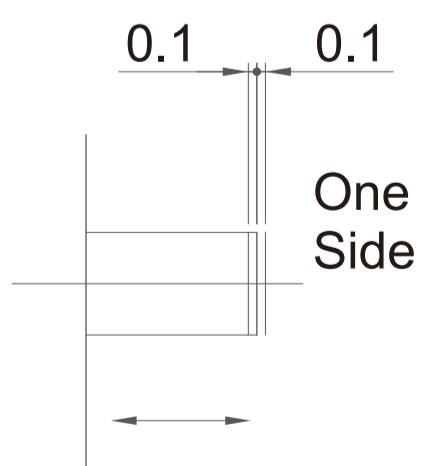


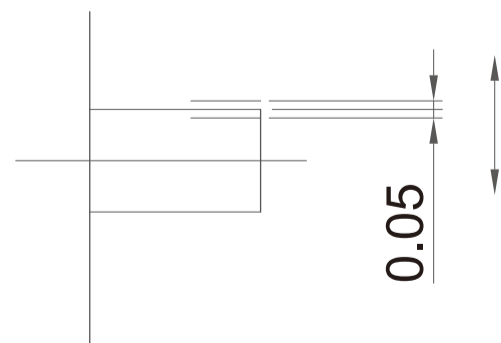
安裝尺寸



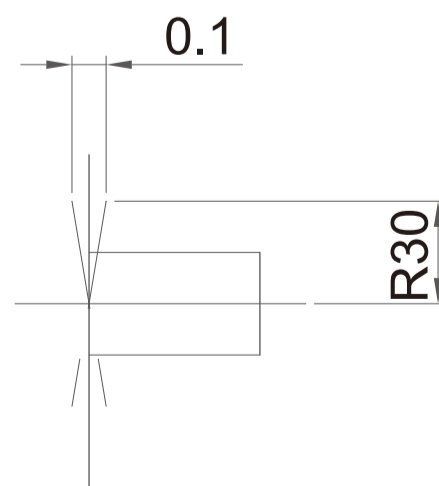
[Thrust play]



[Radial play]



[Perpendicularity between flange and shaft]



指定外公差 $\pm 0.5\text{mm}$