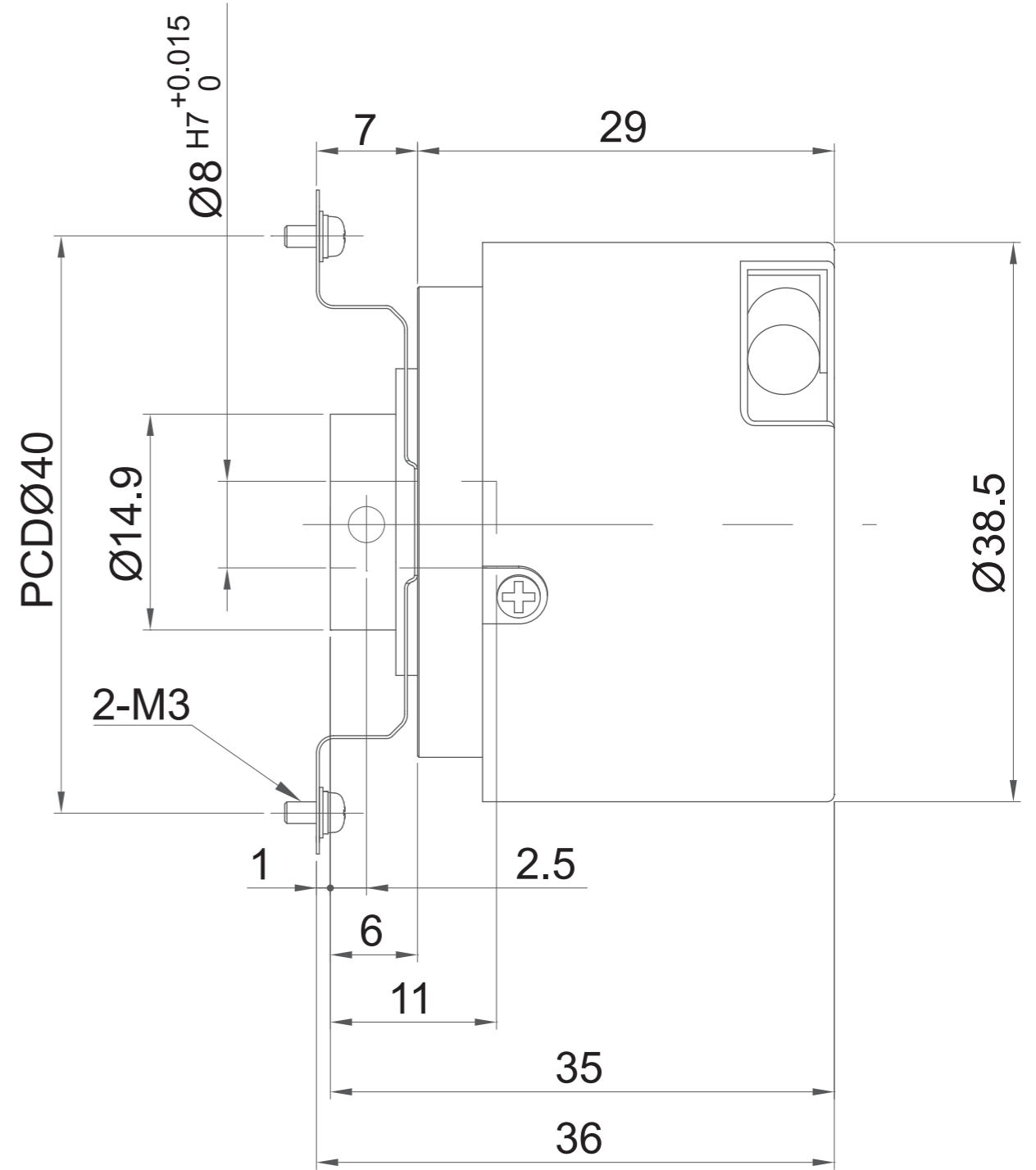
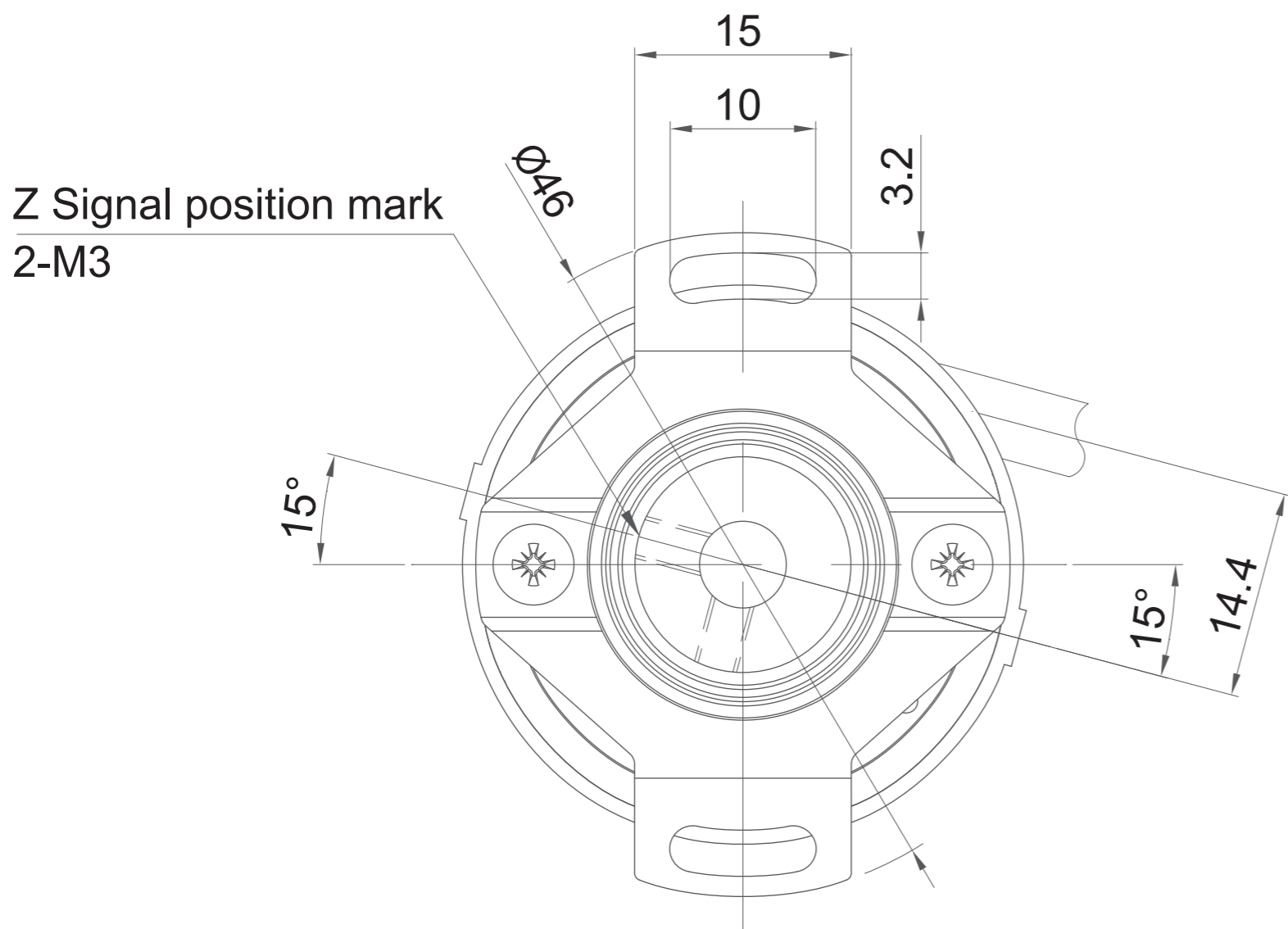
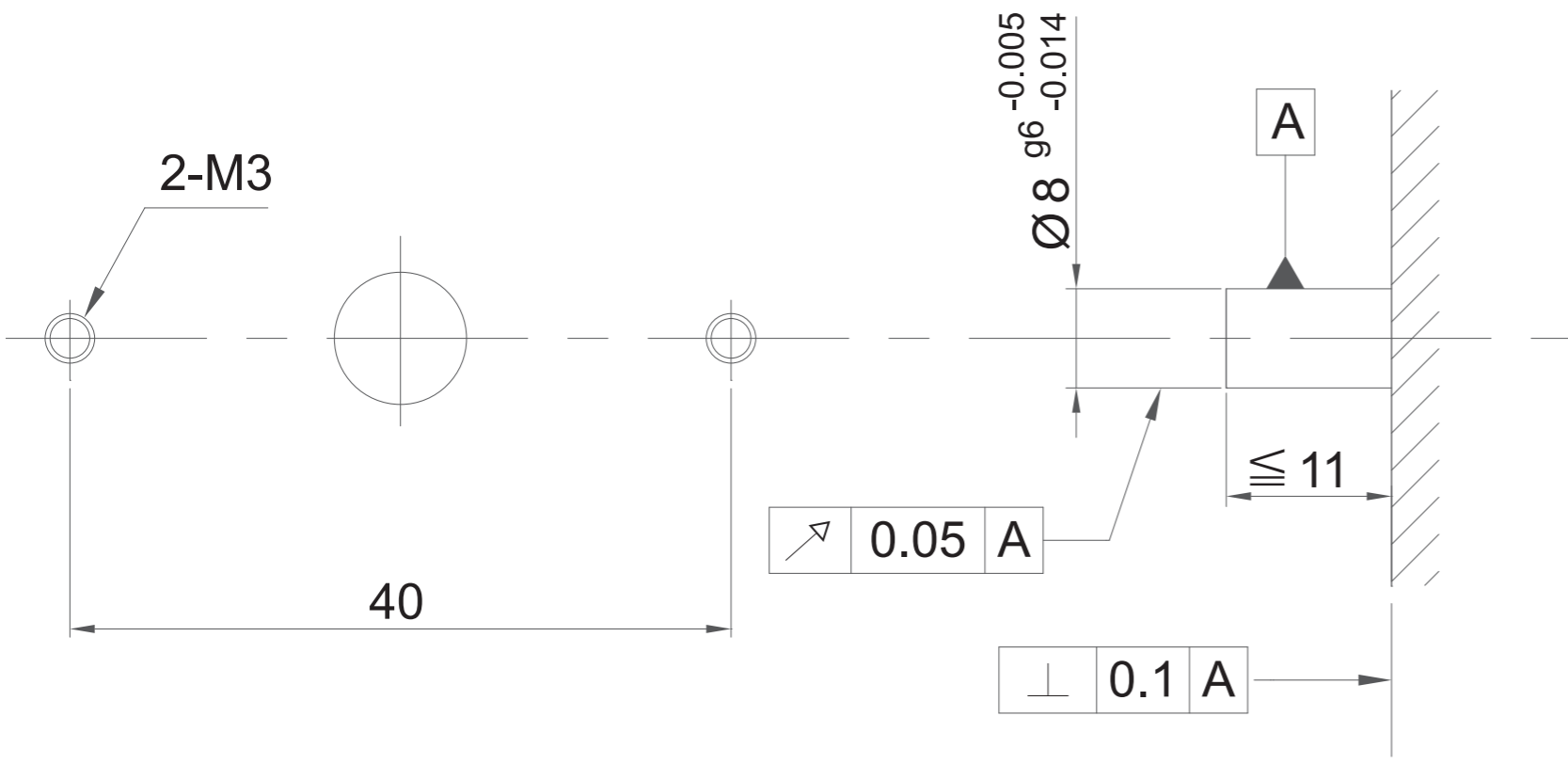
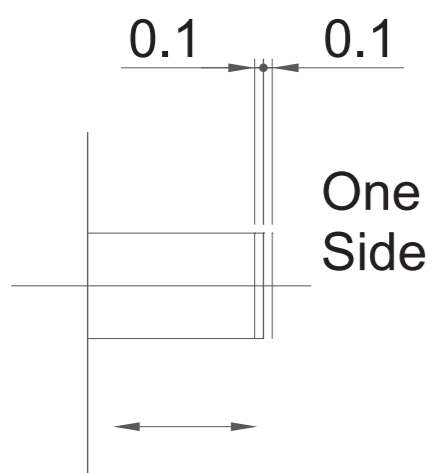


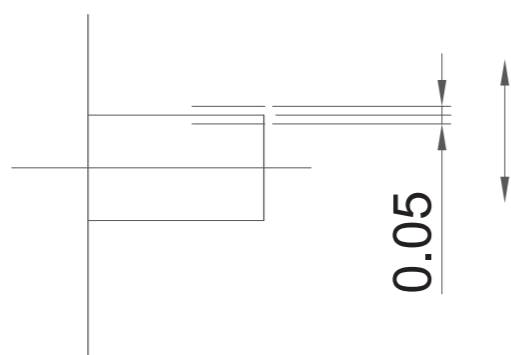
Mounting dimensions



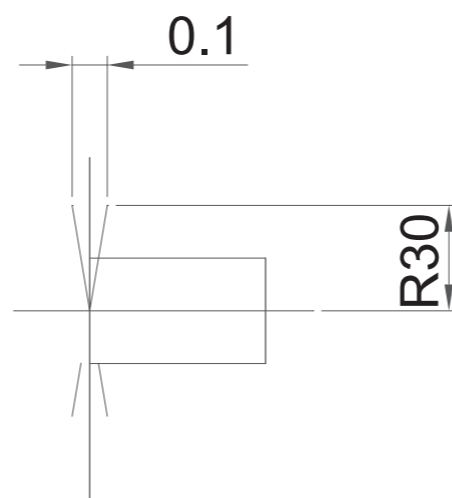
[Thrust play]



[Radial play]



[Perpendicularity between flange and shaft]



Tolerance is $\pm 0.5\text{mm}$ unless specified.