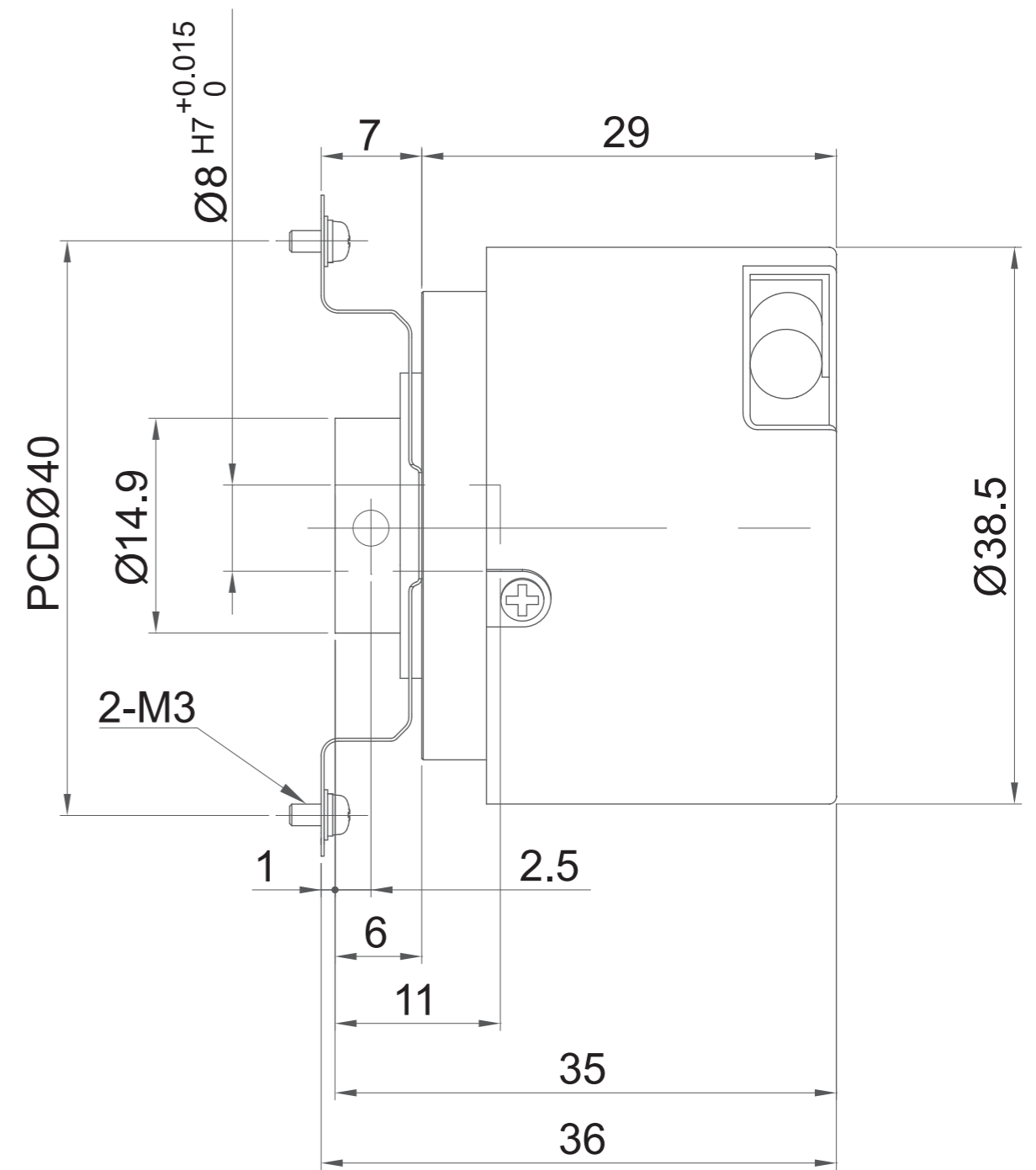
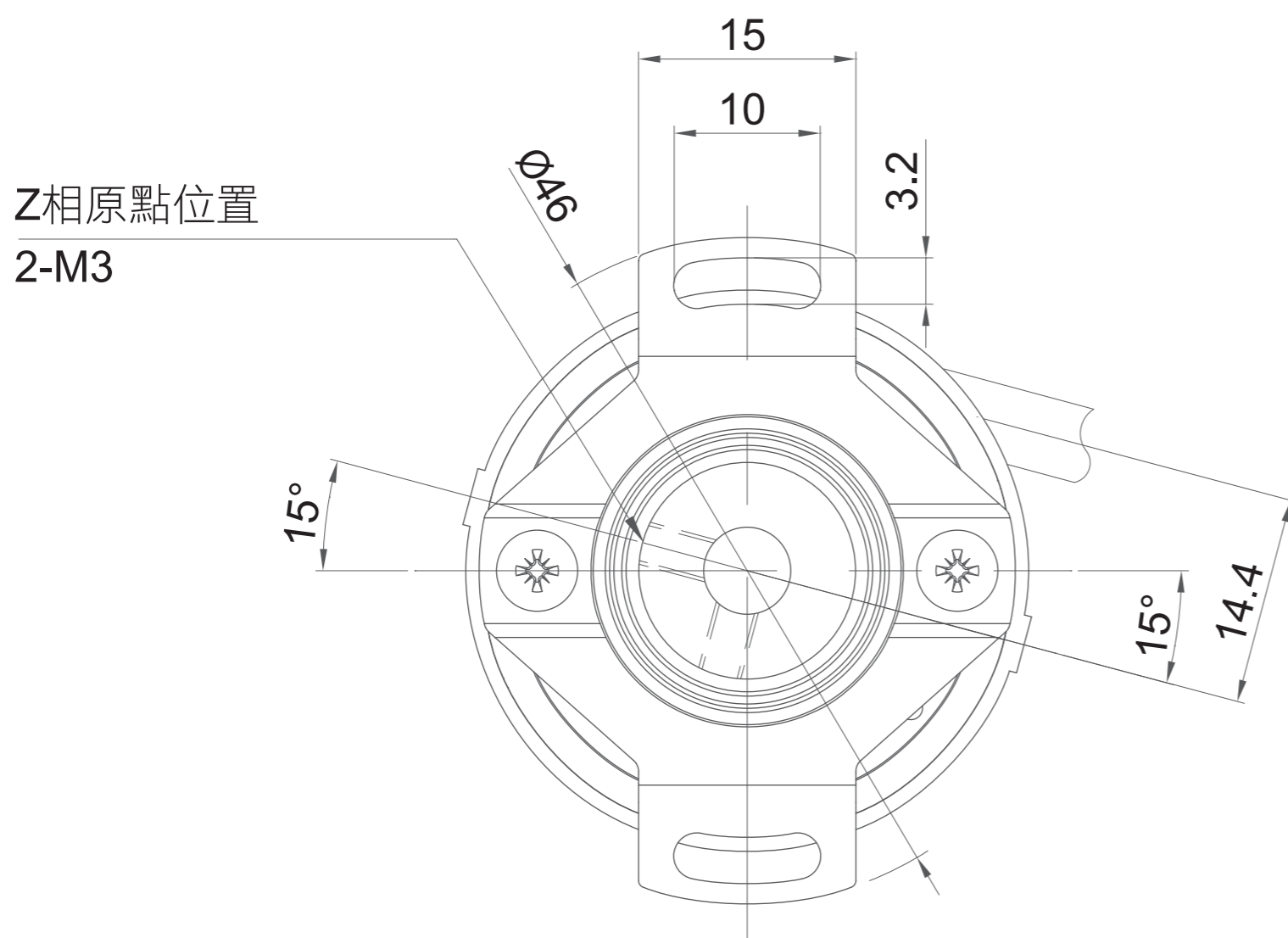
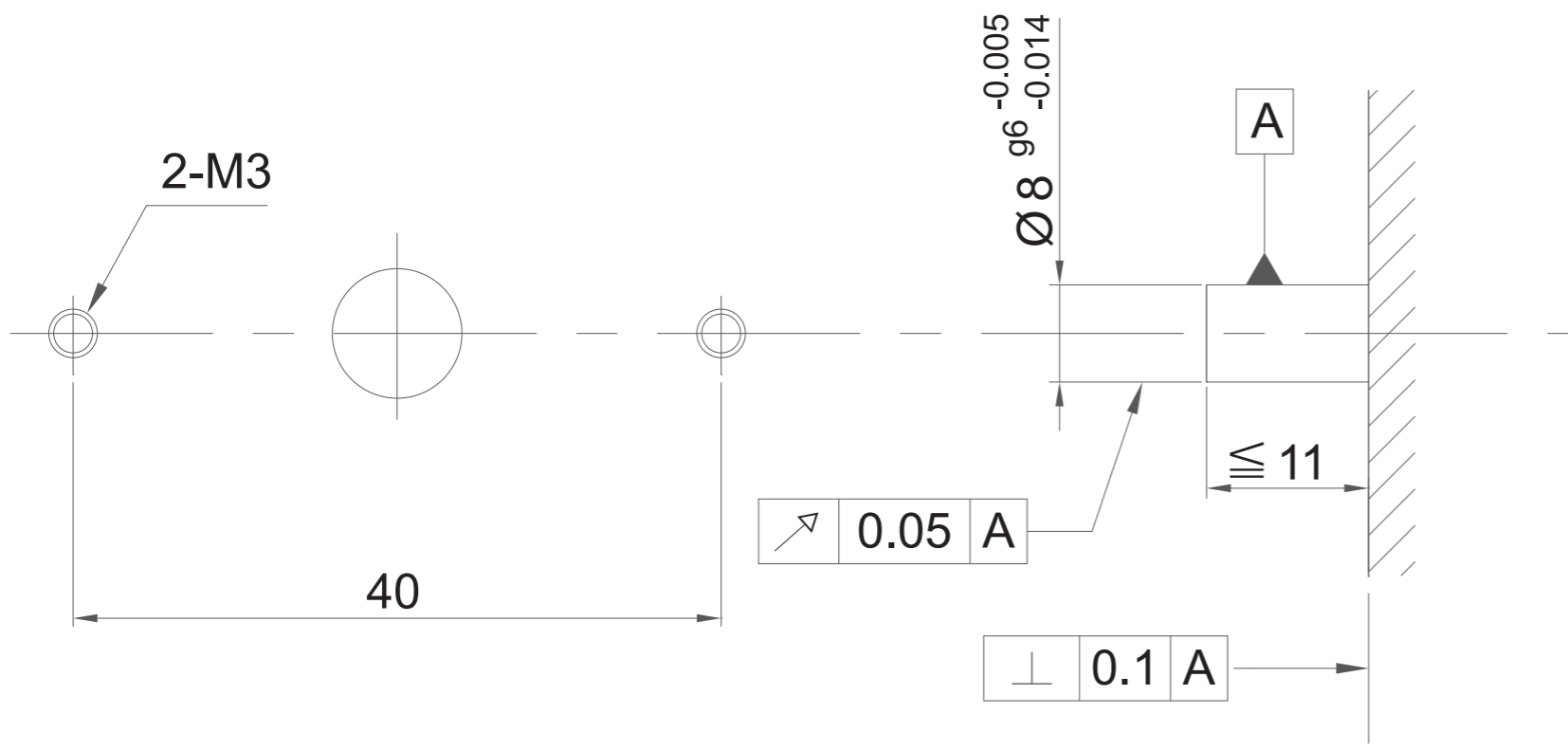
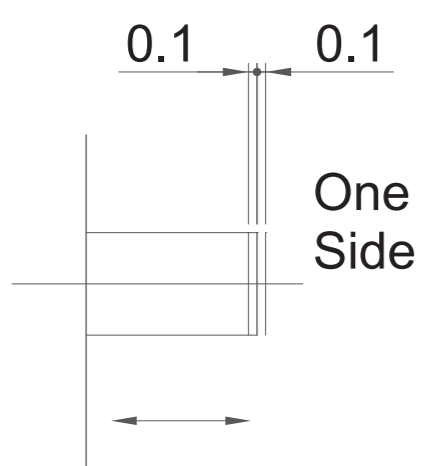


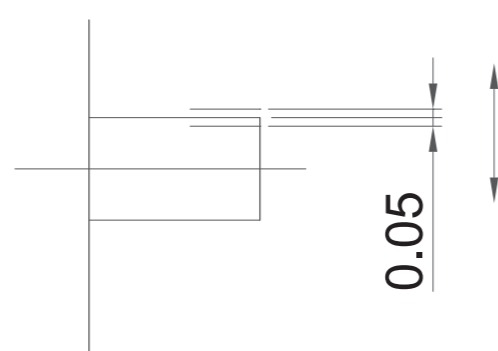
# 安裝尺寸



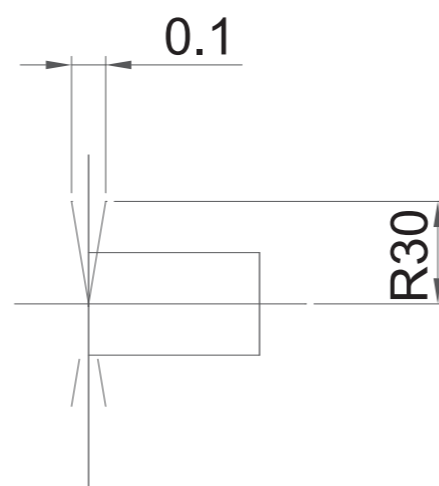
[ Thrust play ]



[ Radial play ]



[ Perpendicularity between flange and shaft ]



指定外公差  $\pm 0.5\text{mm}$