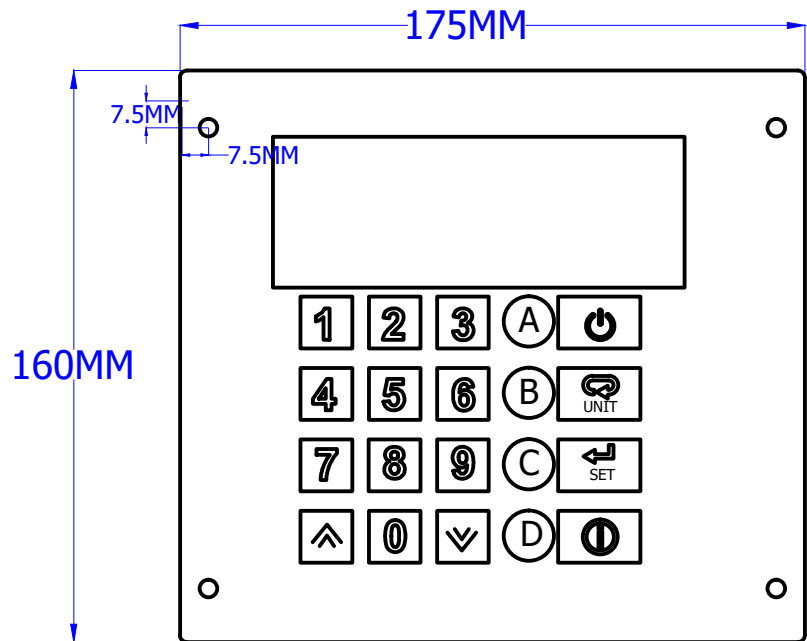
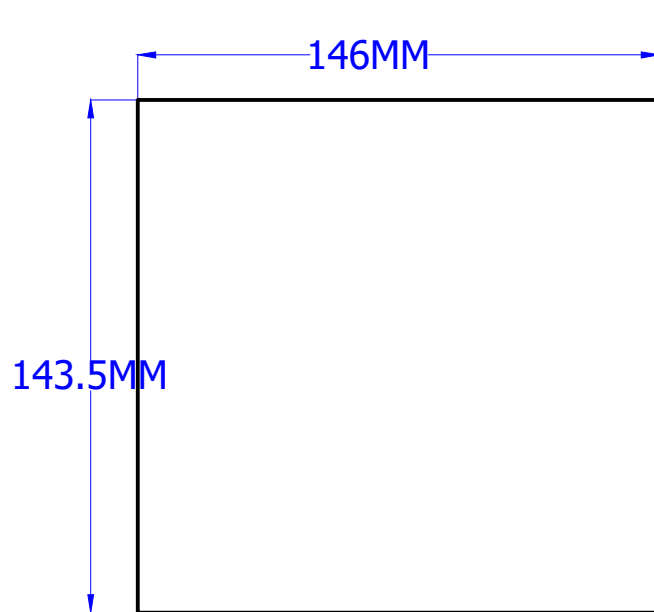


Panel size:175\*160MM



Mounting cutout:146\*143.5MM



Side view

