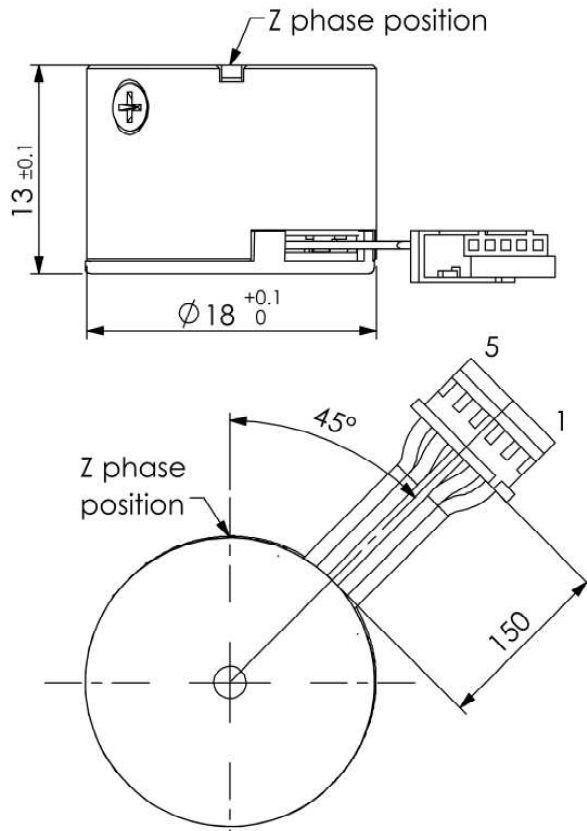


# External Dimension



Tolerance is ±0.5mm unless specified.

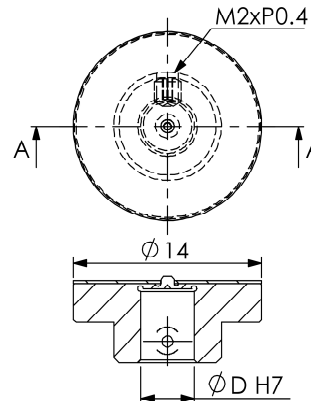
## Electrical Connections

Connector Hirose Electric Co., Ltd.  
DF3-5S-2C

Open Collector		
1	Brown	Vcc
2	Red	0V
3	Orange	Sig A
4	Yellow	Sig B
5	Green	Sig Z

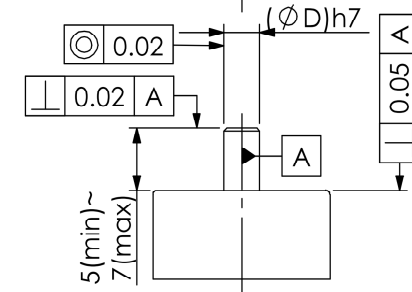
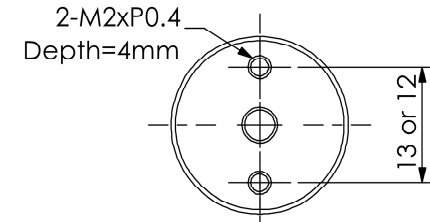
Connector Hirose Electric Co., Ltd.  
DF3-9S-2C

Line Driver		
1	Brown	Vcc
2	Red	0V
3	Orange	Sig A
4	Yellow	Sig A
5	Green	Sig B
6	Blue	Sig B
7	Purple	Sig Z
8	Gray	Sig Z
9	N.C	N.C

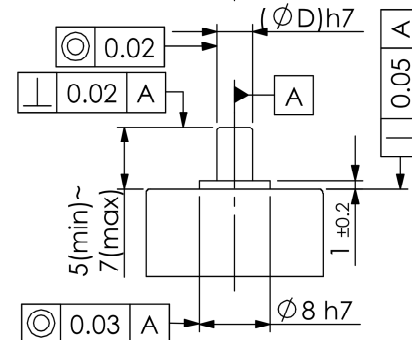
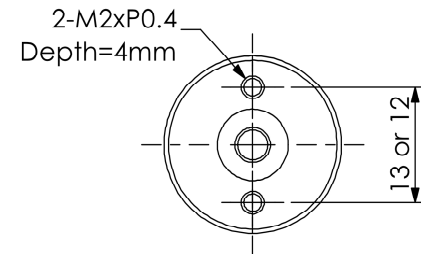


SECTION A-A

Out diameter	
1	∅2.5mm
2	∅3.0mm
3	∅4.0mm
4	∅5.0mm
5	∅6.0mm



Mounting dimension(1)



Mounting dimension(2)